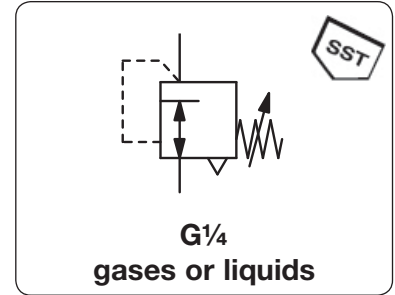


Description	diaphragm-operated pressure regulator in small design
Media	compressed air, gases or liquids
Supply pressure	max. 21 bar
Adjustment	by plastic knob with snap-lock, by hexagonal spindle at R354
Relieving function	relieving, optionally non-relieving
Gauge port	G $\frac{1}{4}$ on both sides of the body, screw plugs supplied
Mounting position	any
Temperature range	0 °C to 65 °C / 32 °F to 149 °F, for appropriately conditioned compressed air down to -30 °C / -22 °F 0 °C to 80 °C / 32 °F to 176 °F for spring cage made of fiberglass or stainless steel
Material	Body: stainless steel 316 Spring cage: glass fibre-reinforced plastic at R364, stainless steel 316 at R354, optionally fibreglass at R364 Elastomer: FKM Inner valve: stainless steel 316



Dimensions			Description	K _v -value	Flow rate		Connection thread	Pressure range	Order number
A	B	C			(m ³ /h)	m ³ /h*1			
mm	mm	mm					G	bar	

Stainless steel pressure regulator									supply pressure max. 21 bar	R364-S
35	75	13	relieving for compressed air	0.4	27	450	G $\frac{1}{4}$	0.2 ... 1.8	R364-02AS	
								0.2 ... 4.0	R364-02BS	
								0.3 ... 9.0	R364-02CS	
35	75	13	non-relieving for liquids	0.4	0,4	6	G $\frac{1}{4}$	0.2 ... 1.8	R364-02ASK	
								0.2 ... 4.0	R364-02BSK	
								0.3 ... 9.0	R364-02CSK	

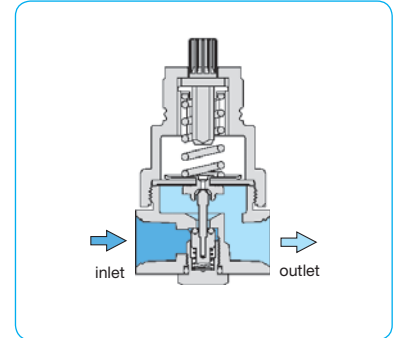


Special options, add the appropriate letter

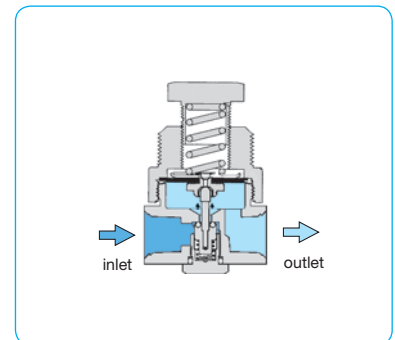
NPT	connection thread	R...-0...N
free of oil and grease	speziell gereinigt	R3.4-0...L
spring cage made of SST	incl. SST-adjusting screw, total height = 60 mm	R354-02...

Accessories

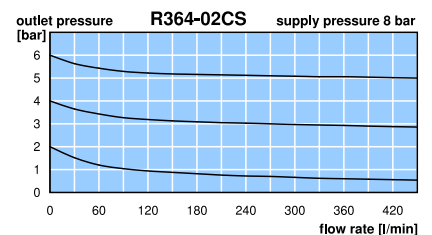
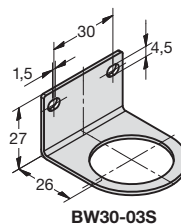
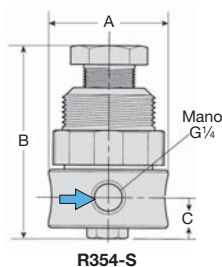
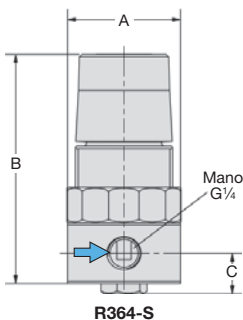
pressure gauge	Ø 40 mm, 0...*2 bar, G $\frac{1}{4}$	MS4002-..*2
mounting bracket		BW30-03S
mounting nut	made of stainless steel	M30x1,5S
	made of plastic	M30x1,5K



cross-section R364-S



cross-section R354-S



*1 at 8 bar supply pressure, 6 bar outlet pressure and 1 bar pressure drop
*2 02 = 0...2.5 bar, 04 = 0...4 bar, 10 = 0...10 bar, 16 = 0...16 bar, 25 = 0...25 bar